

Dual USB Charging Port

TA102 Series

Manufactured by Mid-Continent Instrument Co., Inc.

The TSO-certified TA102 Series simultaneously provides 2.1 amps per charging port to any consumer product requiring a USB interface. This includes most cell phones, tablets and GPS devices.



Small, economical and easy to install, the self-contained TA102 Series Dual USB Charging Port is a modern addition to any cockpit and interior cabin. Each USB port is designed to supply the electric current needed to charge any standard or high-power device with a USB interface. The TA102 Series protects itself and the charging device from short-circuit, power surges and over-current potential. Units are available in lighted and non-lighted versions.

Product features

OUTPUT CURRENT	2.1 amps per port
INPUT VOLTAGE	10 – 32 VDC
OUTPUT VOLTAGE	5 VDC \pm 0.25 per port
EFFICIENCY	Charge one or two products simultaneously at full power
PROTECTION	Short circuit, over-current and over-temperature protection
APPLICATIONS	In-seat, panel or cabin mount
DESIGNED AND MANUFACTURED	Wichita, Kansas, USA
WARRANTY	Limited lifetime warranty

Kansas

9400 East 34th Street North
Wichita, Kansas 67226 USA
Tel 316.630.0101 800.821.1212
Fax 316.630.0723
tbp@mcico.com

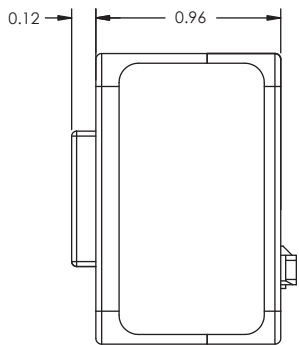
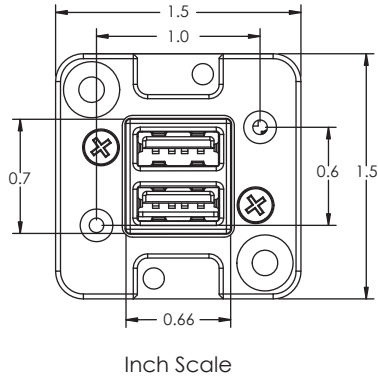
California

16320 Stagg Street
Van Nuys, California 91406 USA
Tel 818.786.0300 800.345.7599
Fax 818.786.2734
tbp@mcico.com

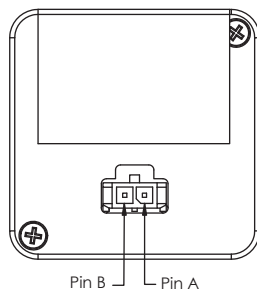
Dual USB Charging Port

TA102 Series

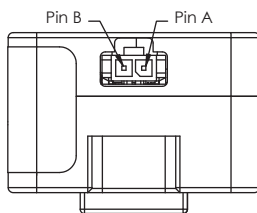
Manufactured by Mid-Continent Instrument Co., Inc.



Rear
Power Input
6430102-1, -3



Bottom
Power Input
6430102-2, -4



Technical specifications

INPUT VOLTAGE	10 – 32 VDC								
INPUT CURRENT	24 W max; 1.7 amps at 14 VDC / 0.85 amps at 28 VDC								
OUTPUT VOLTAGE	5 VDC \pm 0.25 per port								
OUTPUT CURRENT	2.1 amps per port								
WEIGHT	2.1 ounces (59 grams)								
DIMENSIONS	1.5" W x 1.5" H x 0.96" D								
CHARGING PORT TYPE	USB Standard-A								
MATING CONNECTOR KIT	MCI P/N 9017960 (included)								
MOUNTING	In-seat, panel, cabin; front or rear mount								
OPTIONAL INSTALLATION KITS	<table border="0"> <tr> <td>Front</td> <td>Standard, square cover plate (MCI P/N 9017946)</td> </tr> <tr> <td>Rear</td> <td>Small, square cover plate (MCI P/N 9017957)</td> </tr> <tr> <td>Rear</td> <td>Circular adapter plate (MCI P/N 9017945)</td> </tr> <tr> <td>Rear</td> <td>Instrument adapter plate (MCI P/N 9017947)</td> </tr> </table>	Front	Standard, square cover plate (MCI P/N 9017946)	Rear	Small, square cover plate (MCI P/N 9017957)	Rear	Circular adapter plate (MCI P/N 9017945)	Rear	Instrument adapter plate (MCI P/N 9017947)
Front	Standard, square cover plate (MCI P/N 9017946)								
Rear	Small, square cover plate (MCI P/N 9017957)								
Rear	Circular adapter plate (MCI P/N 9017945)								
Rear	Instrument adapter plate (MCI P/N 9017947)								
CERTIFICATION	FAA TSO C71 certified EASA ETSO C71 certified RTCA DO-160G qualified								

Configurations

Part Number	Power Input	USB Connector
6430102-1	Rear	Sealed, Water Resistant
6430102-2	Bottom	Sealed, Water Resistant
6430102-3	Rear	Lighted
6430102-4	Bottom	Lighted